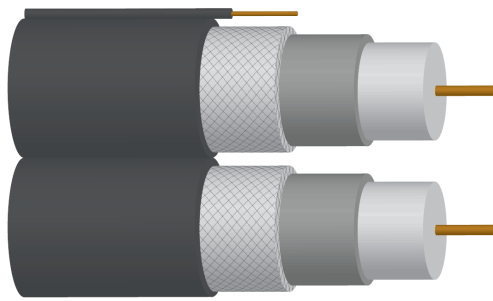


# PRODUCT SPECIFICATIONS

## COPPER CLAD STEEL COAXIAL CABLE, 3GHz RATED

DES currently manufactures a wide variety of cable types, including copper clad cable which performs extremely well and provides tremendous cost savings over solid copper cable. Capable of delivering clean digital signals, copper clad coaxial cable is tremendously popular.

### RG6 75 Ohm Dual w/ Messenger Coaxial Cable ITEM NUMBER: S6DMCCS3GBLK



DESCRIPTION	MATERIAL	MEASUREMENTS
Center Conductor	Copper Clad Steel	18 AWG
Dielectric	Gas Injected FPE	0.180 in
1st Shield	AL PE Foil	100% Coverage
2nd Shield	Aluminum Braid	60% Coverage
Jacket	Flame Retardant PVC	0.27 in
Messenger	PVC over Copper Clad Steel	17 AWG

### ELECTRICAL PROPERTIES

**Impedance:** 75.0 Ohm +/- 3.0 Ohms

**Velocity of Propagation:** 82.0%

Structural Return Loss 5MHz to 1GHz	-20.0 dB
Structural Return Loss 1GHz to 2.25GHz	-15.0 dB
Attenuation for 50MHz	1.52 dB
Attenuation for 1000MHz	6.56 dB
Attenuation for 3000MHz	11.47 dB



DES CABLE MEETS INDUSTRY STANDARDS

[www.buydes.com](http://www.buydes.com)

550 Montgomery Hwy, Suite 300  
Birmingham, AL 35216  
866-259-4660 • [info@buydes.com](mailto:info@buydes.com)